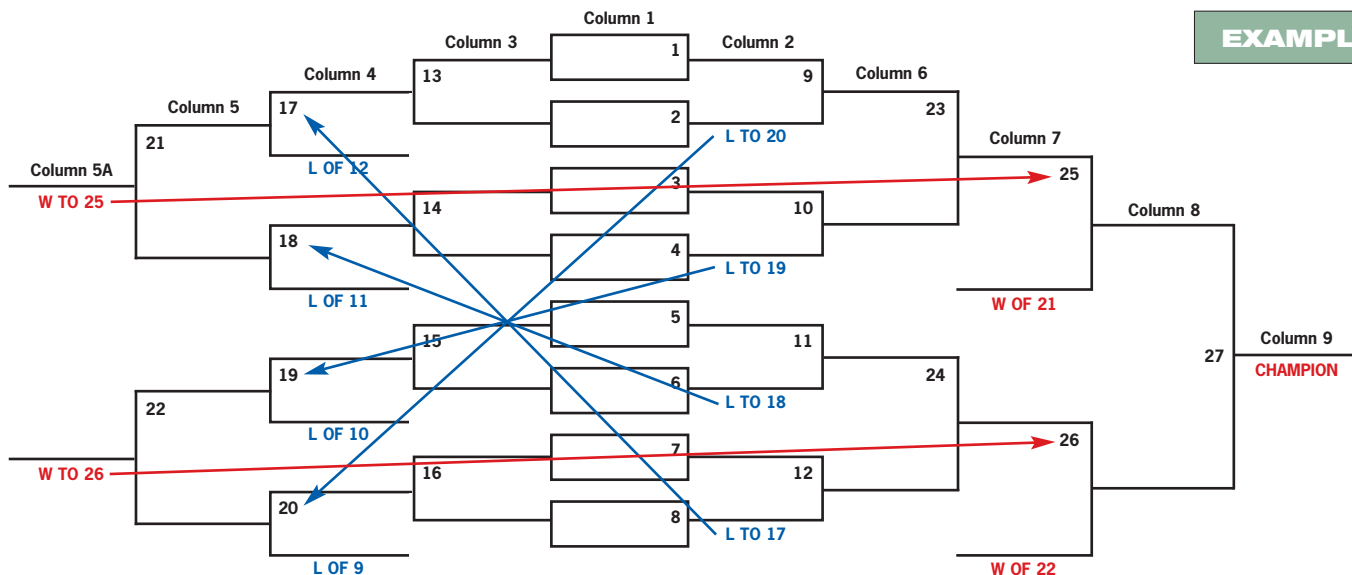


EXAMPLE #1



**Column 1** Starting position for all players. Winners of matches in Column 1 advance right to Column 2. Losers of matches in Column 1 advance left to Column 3.

**Column 2** Winners of matches in Column 2 advance right to Column 6. Losers of matches in Column 2 advance left to "flip" match in Column 4. The advanced match is indicated by the "L TO" number located under the player's match in Column 2. There is a corresponding "L OF" number reaffirming where the player has advanced from beneath the match in Column 4. The blue arrows demon-

strate how these "flip" positions work.

**Column 3** Winners of matches in Column 3 advance left to Column 4. Losers of matches in Column 3 are eliminated from play.

**Column 4** Winners of matches in Column 4 advance left to Column 5. Losers of matches in Column 4 are eliminated from play.

**Column 5** Winners of matches in Column 5 advance right to the "flip" match in Column 7. The advanced match is indicated by the "W TO" number located under the player's match in Column 5A. There is a correspon-

ding "W OF" number reaffirming where the player has advanced from beneath the match in Column 7. The red arrows demonstrate how these "flip" positions work. Losers of matches in Column 5 are eliminated from play.

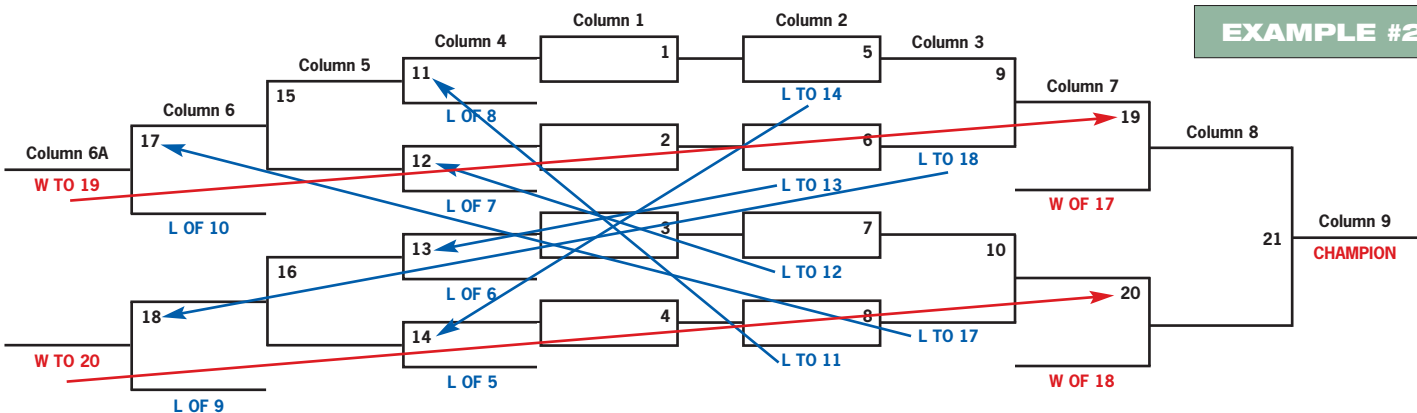
**Column 6** Winners of matches in Column 6 advance right to Column 7. Losers of matches in Column 6 are eliminated from play.

**Column 7** Winners of matches in Column 7 advance right to Column 8. Losers of matches in Column 7 are eliminated from play.

**Column 8** Winners of matches in Column 8 advance right to Column 9. Losers of matches in Column 8 are eliminated from play.

**Column 9** On this particular bracket, Column 8 would be the Finals match, and Column 9 would be exclusively for the Champion's name. However, on a larger bracket, Column 8 would not be the Final match. The board would continue out with Winners advancing to the right, and Losers being eliminated from play until a Final match is played, producing a Champion.

EXAMPLE #2



**Column 1** Starting position for some players. Winners of matches in Column 1 advance right to Column 2. Losers of matches in Column 1 advance left to Column 4.

**Column 2** Starting position for some players. Winners of matches in Column 2 advance right to Column 3. Losers of matches in Column 2 advance left to the "flip" match in Column 4. The advanced match is indicated by the "L TO" number located under the player's match in Column 2. There is a corresponding "L OF" number reaffirming where the player has advanced from beneath the match in Column 4. The blue arrows demonstrate how these "flip" positions work.

**Column 3** Winners of matches in Column 3 advance right to Column 7. Losers of matches in Column 3 advance left to the "flip" match in Column 6. The advanced match is indicated by the "L TO" number located under the player's match in Column 3. There is a corresponding "L OF" number reaffirming where the player has advanced from beneath the match in Column 6. The purple arrows demonstrate how these "flip" positions work.

**Column 4** Winners of matches in Column 4 advance left to Column 5. Losers of matches in Column 4 are eliminated from play.

**Column 5** Winners of matches in Column 5

advance left to Column 6. Losers of matches in Column 5 are eliminated from play.

**Column 6** Winners of matches in Column 6 advance right to the "flip" match in Column 7. The advanced match is indicated by the "W TO" number located under the player's match in Column 6A. There is a corresponding "W OF" number reaffirming where the player has advanced from beneath the match in Column 7. The red arrows demonstrate how these "flip" positions work. Losers of matches in Column 6 are eliminated from play.

**Column 7** Winners of matches in Column 7

advance right to Column 8. Losers of matches in Column 7 are eliminated from play.

**Column 8** Winners of matches in Column 8 advance right to Column 9. Losers of matches in Column 8 are eliminated from play.

**Column 9** On this particular bracket, Column 8 would be the Finals match, and Column 9 would be exclusively for the Champion's name. However, on a larger bracket, Column 8 would not be the Final match. The board would continue out with Winners advancing to the right, and Losers being eliminated from play until a Final match is played, producing a Champion.